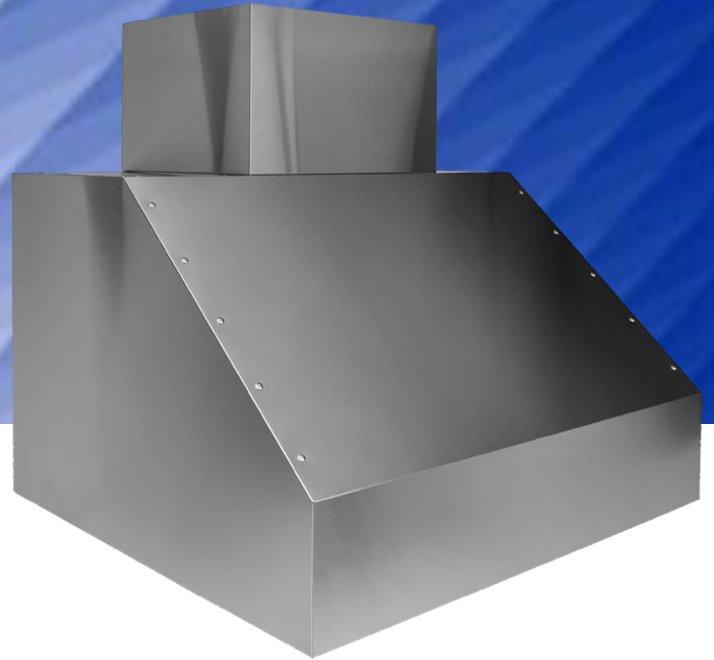


7200-12RD SERIES BARBECUE GRILL HOODS

REAR DISCHARGE ONLY

Enhance your BBQ Grilling and capture the professional chef's experience.

Engineered for Beauty and Performance...



DISTINCTIVE DESIGN:

- Simplicity of Design and Function
- Available in 36", 42", 48" widths
- Generously proportioned 32" depth of hood provides an Exceptional Capture Area
- Design of the Stainless Steel Commercial Baffle Filters adds a Professional Image
- Matching Telescopic Stainless Steel Duct Covers are available for single and double exhaust hoods
- New models have 15" deep top dimensions to improve Aesthetics and Performance

ENDURING QUALITY:

- Powerful Internal Blowers Deliver 1200CFM
- Heavy gauge commercial stainless steel (#304 grade, 22-gauge)
- Four 12" by 14" baffle filters for Enhanced Performance (six on larger model)
- Dimmable 50 watt halogen lights

EASY INSTALLATION & CLEANING:

- Hoods come with internal blowers and are all pre-wired and Ready for Installation
- Rear only 10" round discharge
- Durable, dishwasher safe commercial stainless steel baffle filters
- All stainless steel exterior design is Easy to keep Clean and Eliminates grease traps

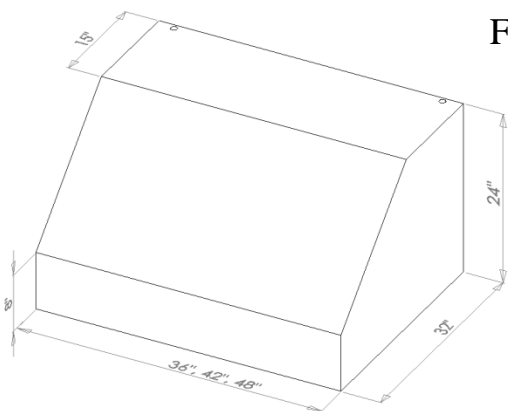
Our latest BBQ Grill Hood features cutting-edge design for maximum performance and beautiful style to bring you the ultimate barbecuing experience.

**TRADE-WIND**

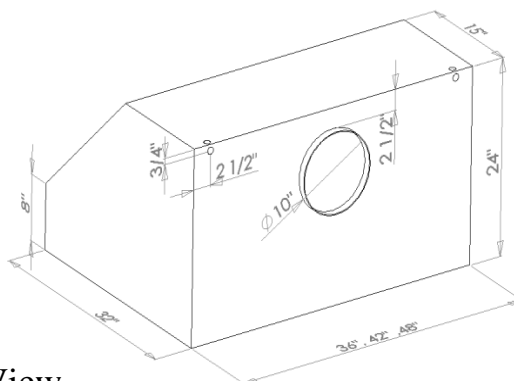
7200 SERIES BARBECUE GRILL HOODS

A. Range Hood

Front View

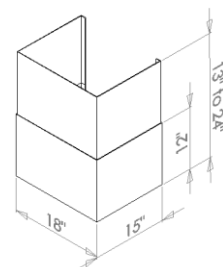


Rear View



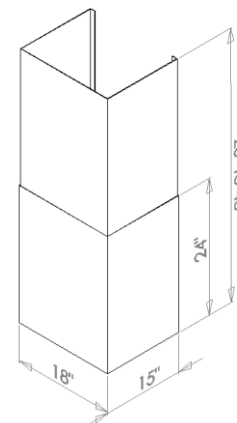
B. Duct Cover (sold separately for ceilings from 9' to 10')

-DC7201S-



C. Duct Cover (sold separately for ceilings from 10' to 12')

-DC7200S-



	Model	Size	CFM	3-Speed Motors	Halogen Lights	SS Baffle Filters	Rear Discharge Only	Variable Light Control
A	7236-12RD	36"	1200	X	X	X	X	X
A	7242-12RD	42"	1200	X	X	X	X	X
A	7248-12RD	48"	1200	X	X	X	X	X

- All dimensions are nominal +/- 1/8"
- All models exhaust horizontally through a 10" round duct

Universal Metal Industries has a policy of continuous improvements and reserves the right to modify (at any time without notice) any or all of its products, features, designs, components and specifications. For exact dimensions, see the installation instructions included with the product.

For more information please contact your dealer or your Trade-Wind® representative.



**UNIVERSAL
METAL
INDUSTRIES, INC.**
KITCHEN & BATH VENTILATION

800 West Grant Street, Phoenix, AZ 85007
Phone: 800 875-3654 Fax: 800 809-0995 Phone: 602 251-3654 Fax: 602 251-3889
twphx.com trade-windonline.com umiphx.com

TRADE-WIND

Revised 04/03/2017

© Copyright 2010 Universal Metal Industries, Inc.

Proverbs 22:29