

2900 SERIES RANGE HOOD

Enhance ventilation and capture the ultimate chef's experience with our latest design, the 2900 series range hood.

2900 SERIES



Experience...

EASY CLEANING

- Dishwasher safe commercial baffle filters
- Functional design is easy to clean. Eliminates grease traps
- No unsightly screws to clean around

QUIET OPERATION

- Rubber-mounted motor & large, squirrel-cage blowers reduce sound and vibration
- 3-speed motor control reduces blower and air movement sound
- Large, oversized filters reduce air movement sound

ENDURING QUALITY

- Internal motor models deliver 390 CFM (code compliant), 600 CFM, or 800 CFM
- Commercial grade stainless steel (#304 with #4 brush finish)
- Two oversized 12" x 14" SS baffle filters improve performance; three on 48" model
- Two dimmable halogen lights brighten cooking area; three on 48" model
- Performance tested for CFM

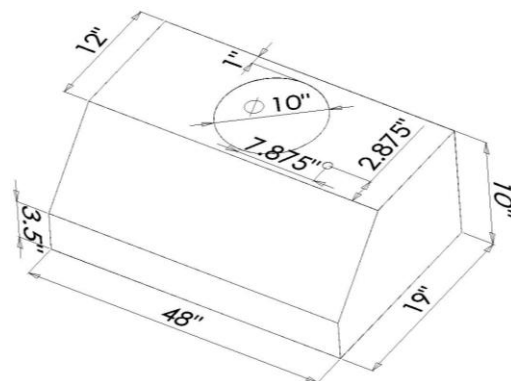
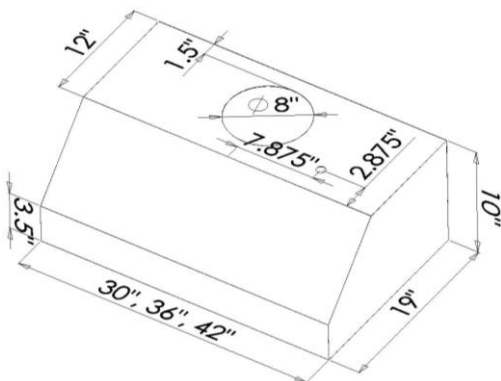
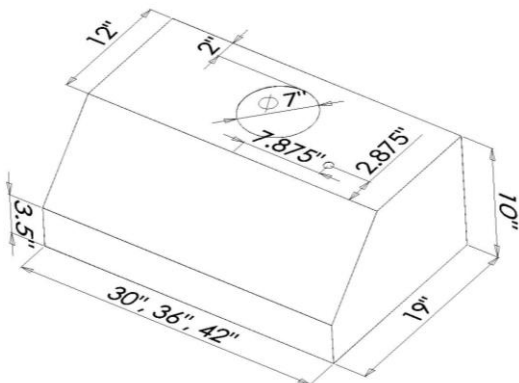
DISTINCTIVE DESIGN

- Style complements ALL kitchen designs
- Simplicity of design preferred by home owners and builders
- Recessed controls and halogen lights. Buttons and light glare hidden from the front
- Electronic touch controls with blue LED back lighting
- Trade-Wind® logo is discretely located on bottom of hood. Can be paired with ALL range models

EASY INSTALLATION

- Installs easily in standard size cabinet openings
- Exhausts out the top with a 7in, 8in, or 10in round discharge opening (size of ducting is dependent on blower CFM specification selected)
- For Installation Instructions, visit us on the web at twphx.com

2900 ULTRA SERIES RANGE HOOD



| Dimensions | | | |
|------------|-------|-----|--------------|
| Models | Width | CFM | Duct Opening |
| 2930-3 | 30" | 390 | 7" |
| 2936-3 | 36" | 390 | 7" |
| 2942-3 | 42" | 390 | 7" |

| Dimensions | | | |
|------------|-------|-----|--------------|
| Models | Width | CFM | Duct Opening |
| 2930-6 | 30" | 600 | 8" |
| 2936-6 | 36" | 600 | 8" |
| 2942-6 | 42" | 600 | 8" |

| Dimensions | | | |
|------------|-------|-----|--------------|
| Model | Width | CFM | Duct Opening |
| 2948-8 | 48" | 800 | 10" |

Note: Electrical access located on the top, right side as shown in the above dimensioned diagrams.

Universal Metal Industries has a policy of continuous improvements and reserves the right to modify (at any time without notice) any or all of its products, features, designs, components and specifications. For further information on installation and wiring, see the installation instructions included with the product or visit us on the web.

For more information please contact your dealer or your Trade-Wind® representative.



**UNIVERSAL
METAL
INDUSTRIES, INC.**

KITCHEN & BATH VENTILATION

800 West Grant Street, Phoenix, AZ 85007

800 875-3654 Phone 800 809-0995 Fax

602 251-3654 Phone 602 251-3889 Fax

twphx.com trade-windonline.com umiphx.com

